

Vertical Section.
Scale 1:2

TIMBER:

Use hardwoods from Forest Stewardship Council (FSC) sources with an average density of 660Kg/m³ or higher and with 15% moisture content, such as 'Iroko' (Latin name: *Milicia excelsa*), 'Utile' (Latin name: *Entandrophragma utile*), or 'Sapele' (Latin name: *Entandrophragma cylindricum*) or a treated fast-growing softwood, modified by acetylation.

CONSTRUCTION:

All frames with mortice and tenon joints, timber generally free from unsound knots, loose knots or knot holes.

GLAZING:

Double glazed units with 11mm overall thickness comprising 4mm 'Low E' outer pane (laminated if required), 4mm air cavity, 3mm glass inner pane all to achieve a minimum U value of 1.9 W/m²K. Units installed with putty line detailing to match the existing. Alternate: Use laminated safety glass units (4 mm or thicker) or 6mm clear glass below 800 mm. Units installed with linseed oil putty and pinned.

IRONMONGERY:

Where salvageable existing original ironmongery should be re-used. Surface mounted traditional latches in self coloured brass or black finish. If using softwood modified by acetylation, stainless steel ironmongery must be used.

DRAUGHT PROOFING:

Concealed compression or wiper seals around the perimeter of the frame may be fitted.

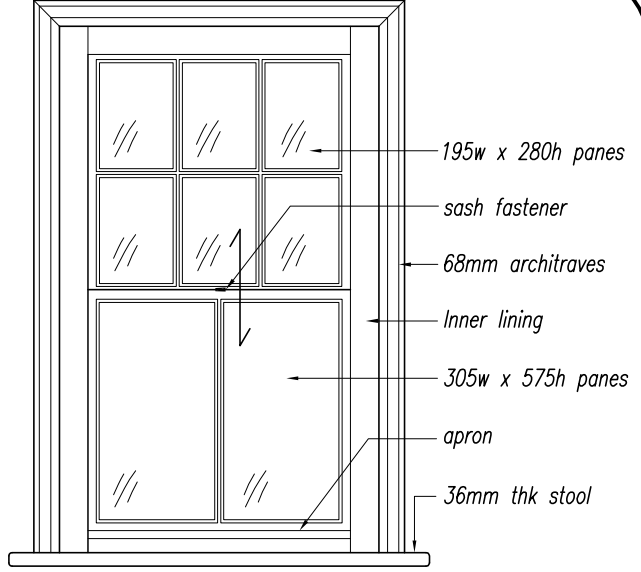
PAINT:

All areas to be pre-treated with linseed oil and knot sealed prior to application of one coat of alkyd primer. Two undercoats applied prior to applying one top coat of either oil based or water based paint in either egg shell or satin finish (not gloss). Finish can be either brush or spray applied and must be consistent throughout.

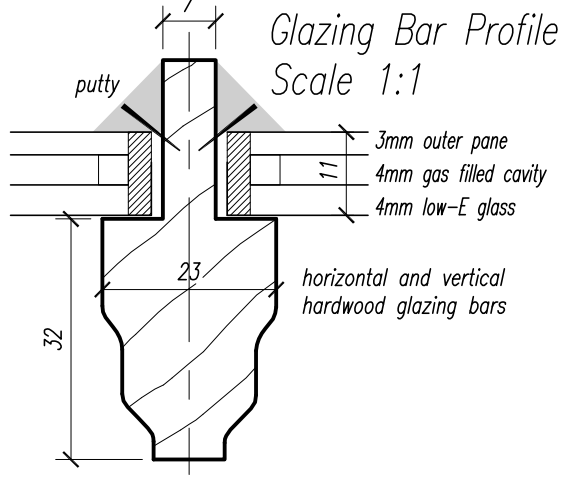
COLOUR:

The exterior surfaces of all rear windows to be painted white (BS 00 E 55).

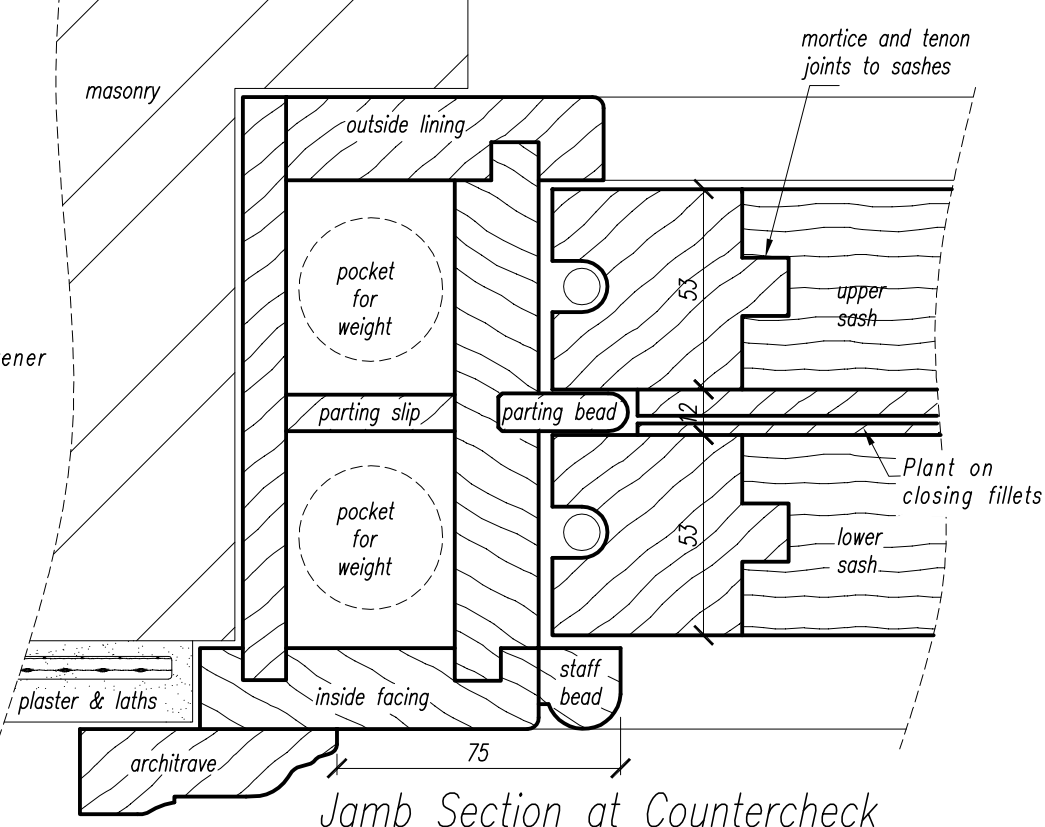
Wirral Council is not liable for inaccuracies, poor workmanship or inadequate installation of features installed or replaced under the Order. Verify all dimensions and existing conditions on site, including profiles, height and width of all aspects of the window to be installed or replaced.



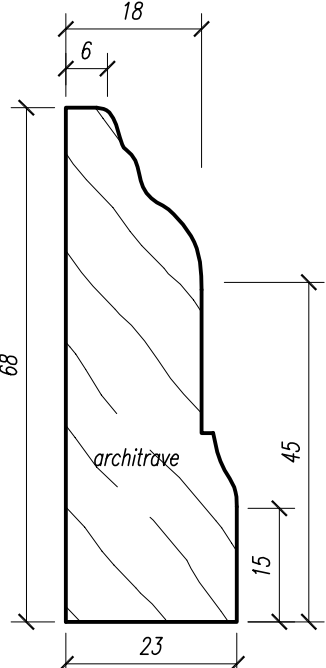
Internal Elevation. Scale 1:20



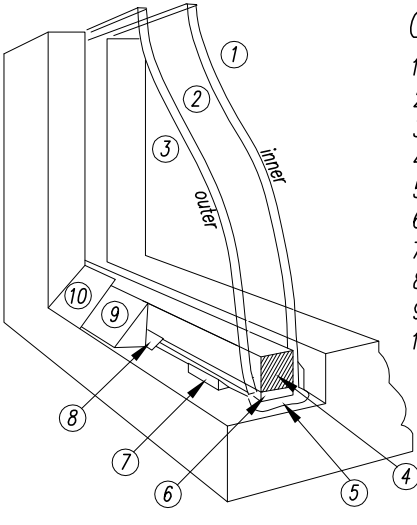
Glazing Bar Profile
Scale 1:1



Jamb Section at Countercheck
Scale 1:2



Architrave Profile
Scale 1:1



Glazing Detail

- 1 - 4mm low-E glass (laminated if required)
- 2 - 4mm gas filled cavity
- 3 - 3mm outer pane
- 4 - Aluminium spacer bar
- 5 - Sealant
- 6 - Perimeter Seal
- 7 - Hardwood spacers
- 8 - Sprig
- 9 - Putty line
- 10 - 1-2mm paint overlap onto glass

Port Sunlight LLBCO
Appendix 4

Date: 29.10.2015
Title: Vertical Double Hung Sash
A3 sheet